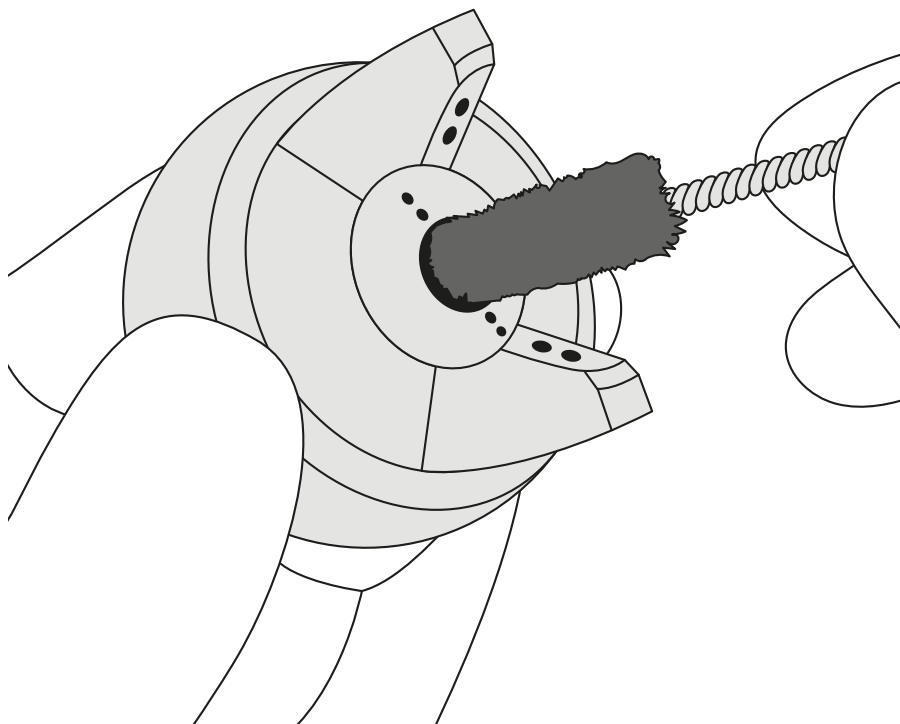


WS-PRIMER MANUAL CLEANING PROCEDURE

GRAVITY SPRAY GUN SMART GUIDE

a good start is halfway to success.



Daily cleaning of the spray gun, performed after each use, is a crucial aspect of a painter's professionalism. This routine ensures the equipment's optimal performance and long-term durability.

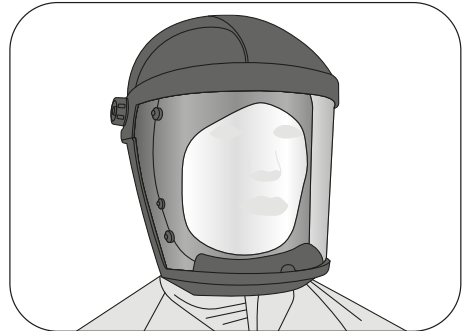
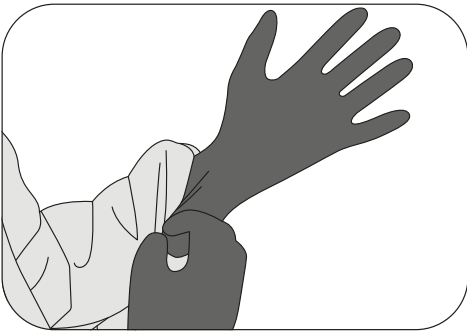
ANEST IWATA offers effective cleaning tools in its kits, featuring solvent-resistant brushes, twisted brushes, and cleaning needles suitable for all types of spray guns.

Throughout the cleaning process, prioritize safety by wearing ANEST IWATA safety glasses, masks, and gloves.

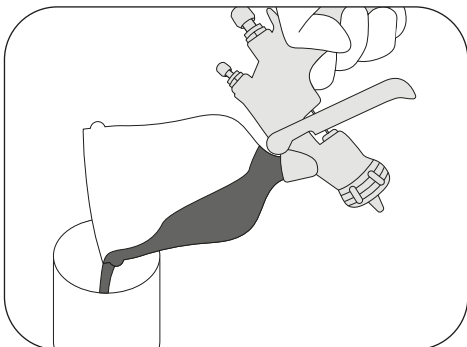
WEAR PROTECTIVE GEARS

IMPORTANT!

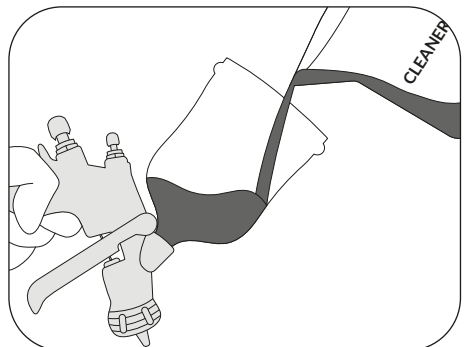
During all fases cleaning procedures, always wear proper body and respiratory protection such as: ANEST IWATA safety glasses, mask and gloves.



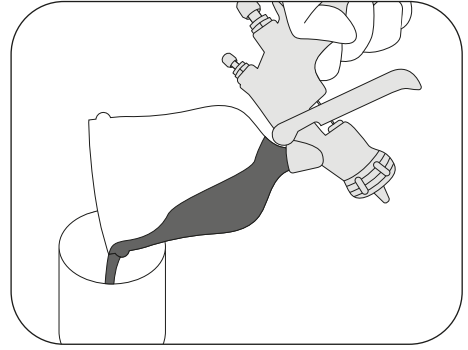
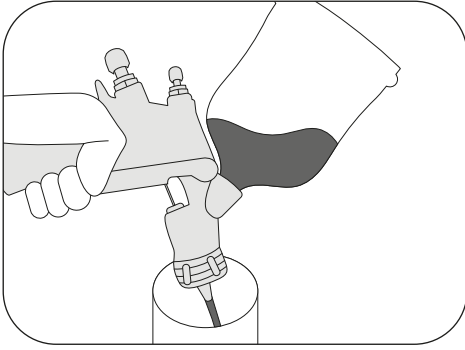
1 . PRELIMINARY WASHING



1 Drain remaining paint from the gravity cup into a suitable container and clean the cup with a dry cloth.



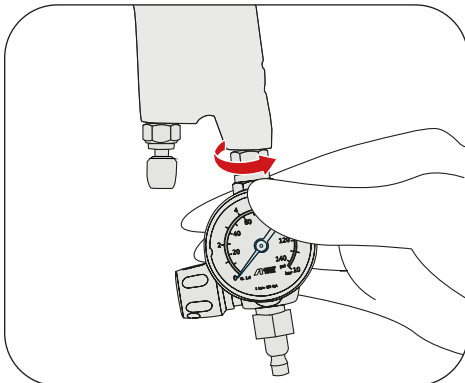
2 Pour the cleaner into the gravity cup, leave it to act for a few seconds and carry out a preliminary wash to remove any excess of residual paint.



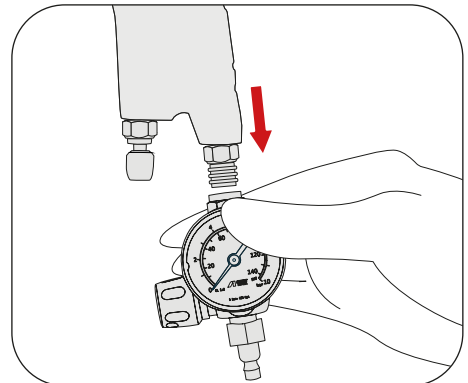
- 3** Drain the dirty cleaner from the gun and from the gravity cup, into a suitable container. Repeat the procedure until the cup is perfectly clean and wipe it with dry cloth, then proceed with cleaning of all other parts.

2 . DETACHING BEFORE CLEANING

The pressure gauge must always be detached from the gun handle before cleaning to prevent permanent damage.

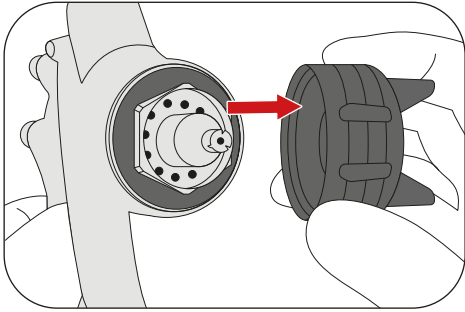


- 1** Unscrew the Air Regulator connecting nut counterclockwise.

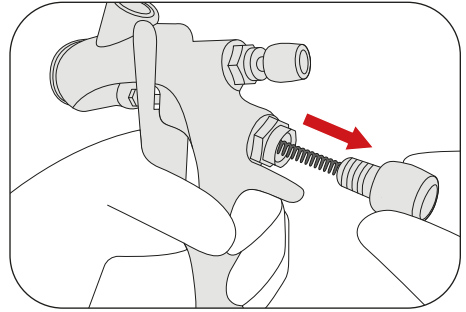


- 2** Detach the Air Regulator from the spray gun body by moving it downward.

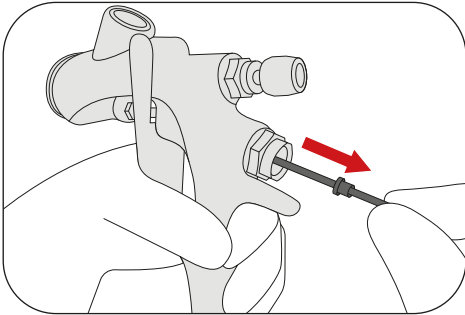
3. DISSASSEMBLING OF ATOMIZING PARTS



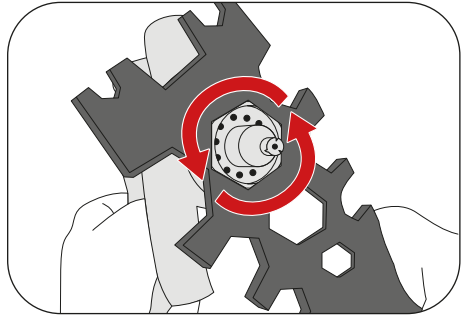
1 Remove the air cap.



2 Unscrew the fluid adjustment knob by hand and take it off together with the spring.

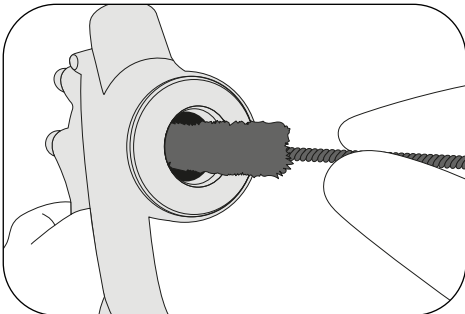


3 Pull out the fluid needle.

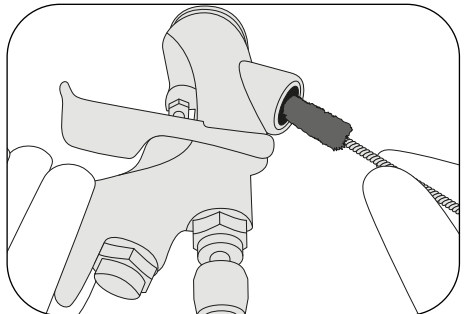


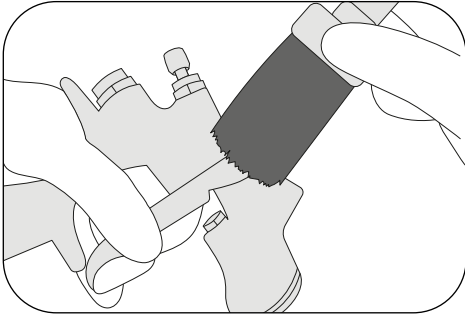
4 Remove the fluid nozzle utilizing the included Spanner.

4. GUN BODY CLEANING PROCEDURE

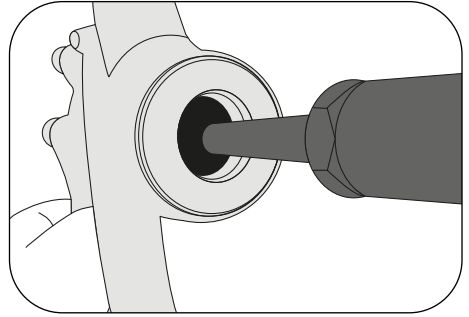


1 Clean the fluid ports using the Twisted Brush (\varnothing 15 mm)



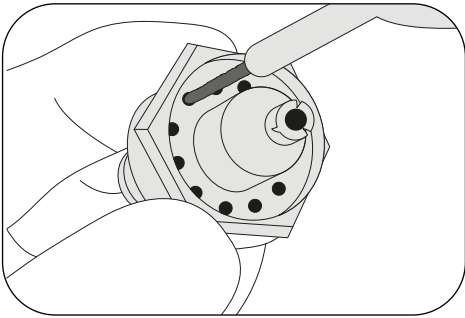


2 Clean the body surface.

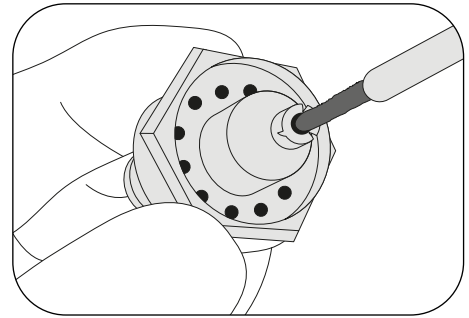


3 Dry the spray gun with the Blow Gun AG-6.

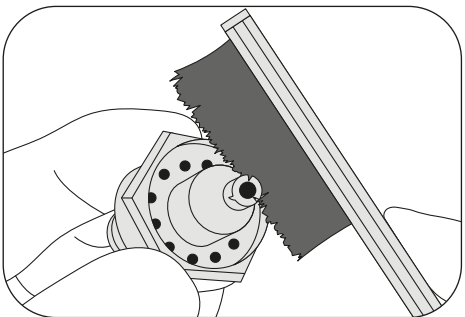
5. CLEANING OF THE ATOMIZING PARTS



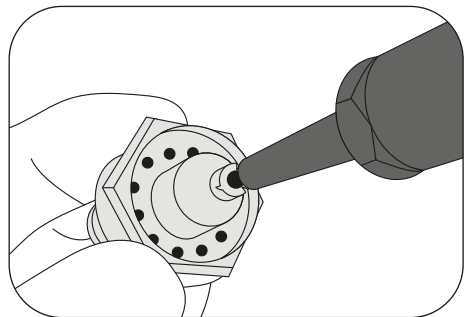
1 Clean the lateral holes in the nozzle using the Tiny Twisted Brush (\varnothing 3 mm).



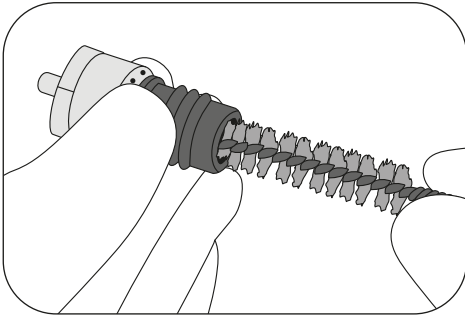
2 Clean the central hole of the nozzle using the Tiny Twisted Brush (\varnothing 3 mm).



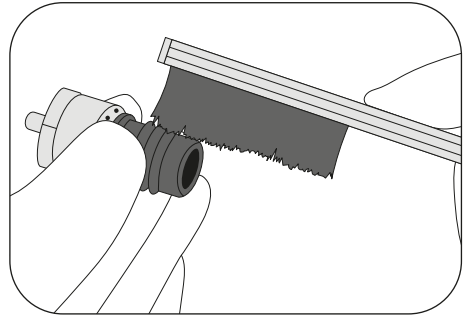
3 Clean the slits of the fluid nozzle using the Brush in Bamboo.



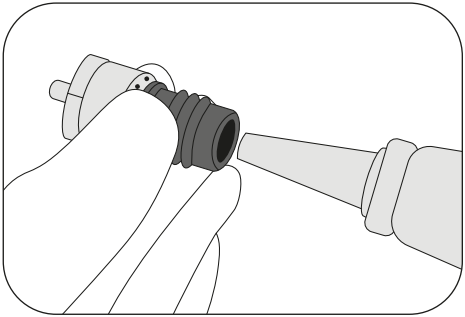
4 Dry the slits of the nozzle with the Blow Gun AG-6.



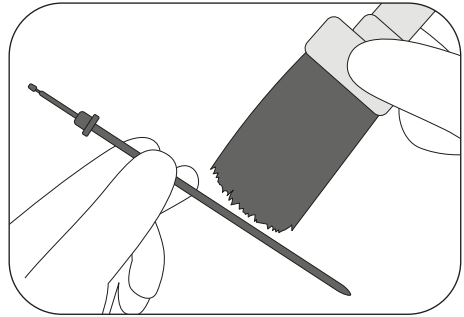
5 Clean the fluid nozzle inside, using the Twisted Brush (\varnothing 10 mm).



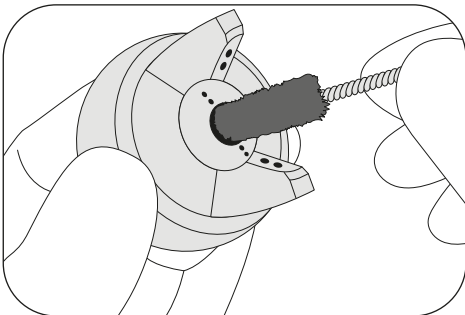
6 Clean the threads of the fluid nozzle using the Brush in Bamboo.



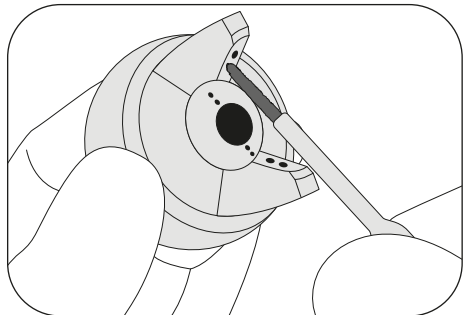
7 Dry the threads of the nozzle with the Blow Gun AG-6.



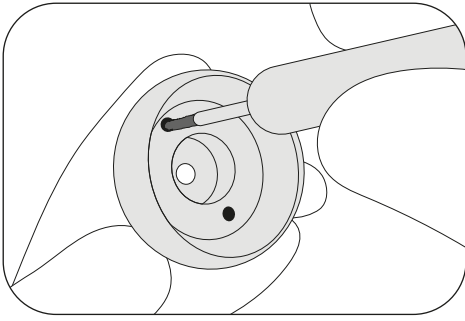
8 Clean the fluid needle using a big brush.



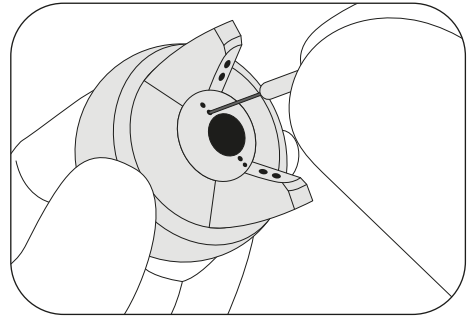
9 Clean the air cap center hole with Twisted Brush (\varnothing 5 mm)



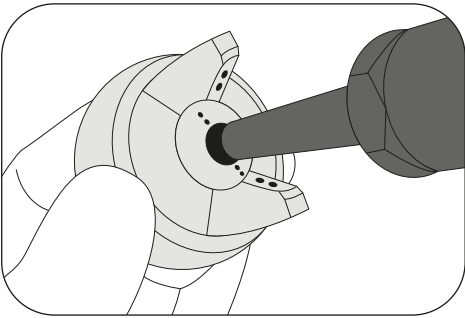
10 Clean the horn holes with special Tiny Twisted Brush (\varnothing 3 mm)



11 Clean the inner horn holes, and blow dry air cap once finished.



12 Clean the tiny holes right next to the central hole of the air cap using a proper Cleaning Needle.

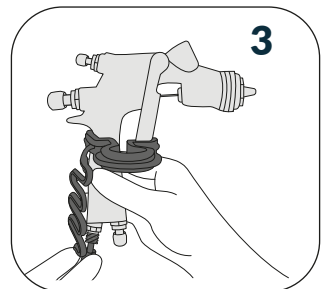
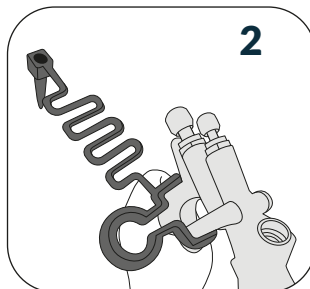
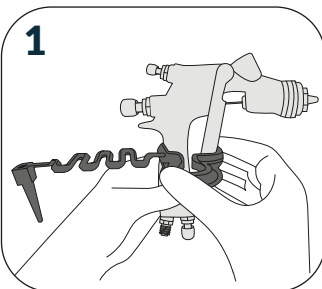


13 Blow dry the tiny holes right next to the central hole of the air cap.

6. SETUP FOR AUTOMATIC GUN WASHER

Before putting the spray gun into the gun washer, fit the TRIGGER LOCKING CLIP. Once you installed the clip properly follow the steps given by the Instruction manual of your gun washing machine.

SPRAY GUN TRIGGER LOCKING CLIP ASSEMBLY





Get help with ANEST IWATA SUPPORT
www.anest-iwata-coating.com/support/



G R A V I T Y S P R A Y G U N S M A R T G U I D E